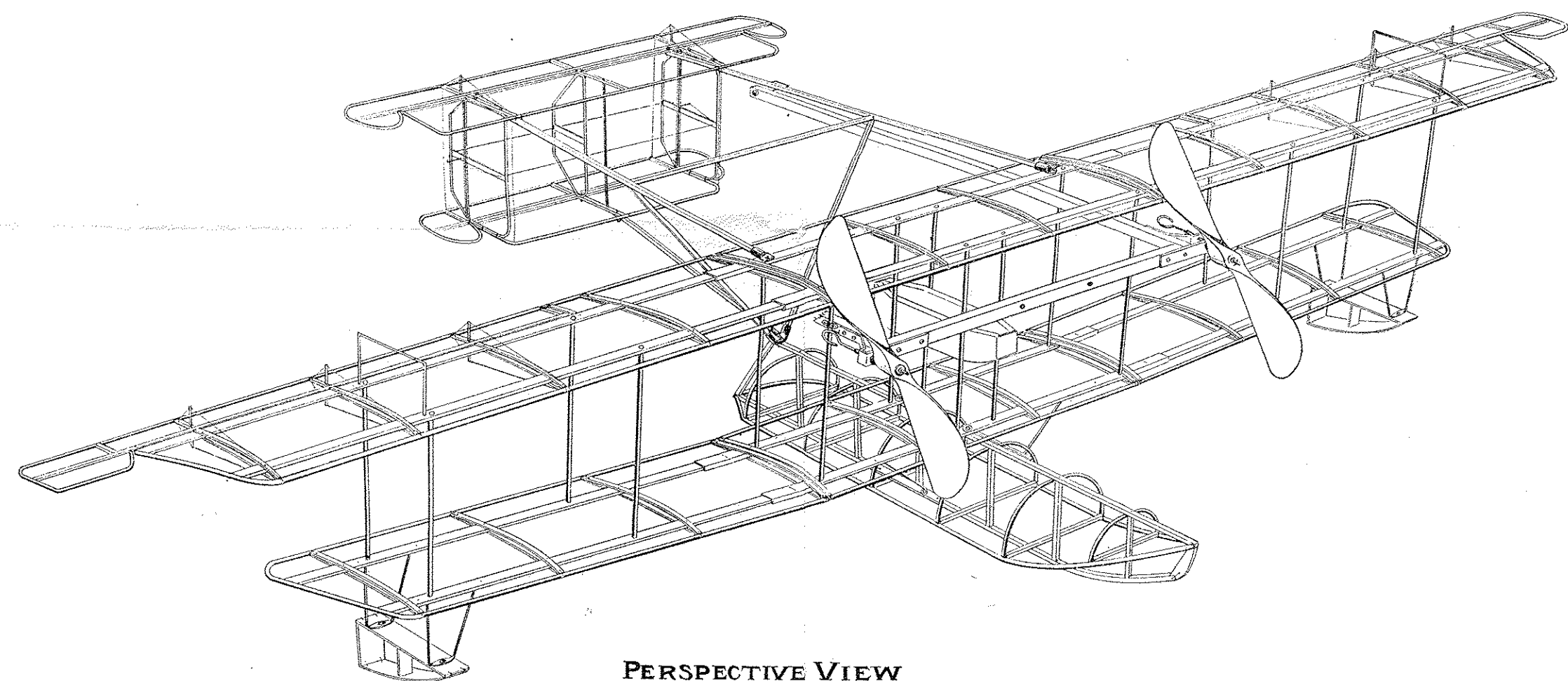


"IDEAL" NC-4

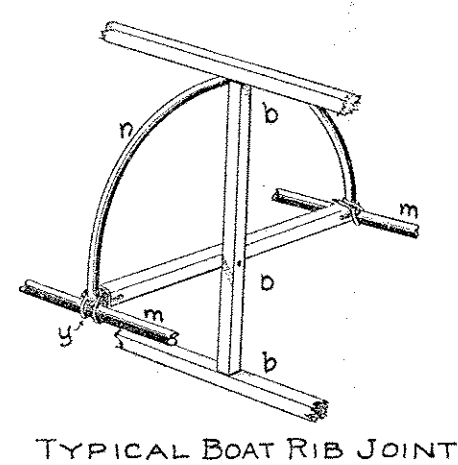
NAVAL CURTISS SEAPLANE

4 1/2 FOOT FLYING MODEL
SCALE = 1/2 FULL SIZE

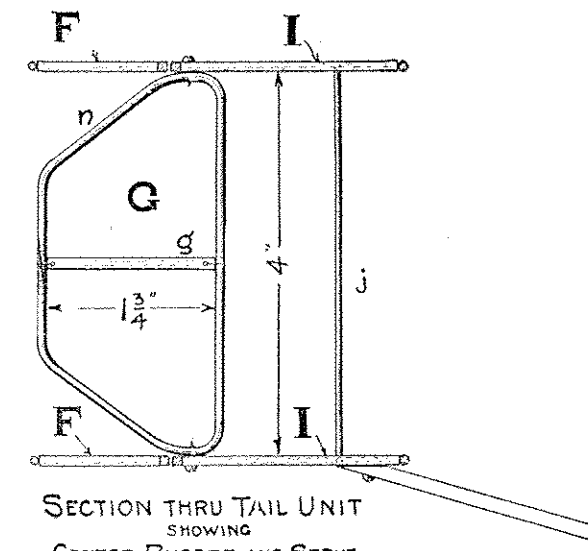


PERSPECTIVE VIEW
COVERING AND RUBBER OMITTED.
NEAR MOTOR STICK BROKEN AWAY.

KEY TO PARTS		KEY TO MATERIAL	
A	BOAT	a	WOOD 1/4" x 1/8"
B	PONTOON	b	" " 5/32" x 5/32"
C	CENTER SECTION	c	" " 1/8" x 1/4"
D	OUTER SECTION	d	" " 1/8" x 1/4"
E	AILERON	e	" " 1/16" x 3/8"
F	ELEVATOR	f	" " 1/16" x 1/2"
G	RUDDER	g	" " 1/16" x 1/8"
H	FIN	h	" " 1/16" x 1/8"
I	STABILIZER	i	" " 1/16" x 1/8"
J	NACELLE	j	" " 1/16" x 1/8"
K	PROPELLER	k	" " 3/32" DIAMETER
L	REAR RUBBER HOOK	l	" " 1/16"
M	OUTRIGGER	m	REED 1/8"
N	BALL BEARING PROPELLER SHAFT	n	" " 3/32"
O	ALUMINUM HANGER	o	" " 1/16"
P	ALUMINUM SLEEVE	p	ALUMINUM ROD 1/16"
Q	TERMINAL FITTING	q	SHEET ALUMINUM #34 GAUGE
R	SPECIAL "V" "	r	RUBBER 1/16" FLAT
S	STRAP "	s	RUBBER 1/16" FLAT
T	BOAT BRACE	t	SCREWS (All other screws are 1/4" long)
U	PONTOON BRACE	u	COPPER WASHERS 1/4" DIA.
V	MAST	v	TINNED WIRE #34 GAUGE
W	STEM	w	

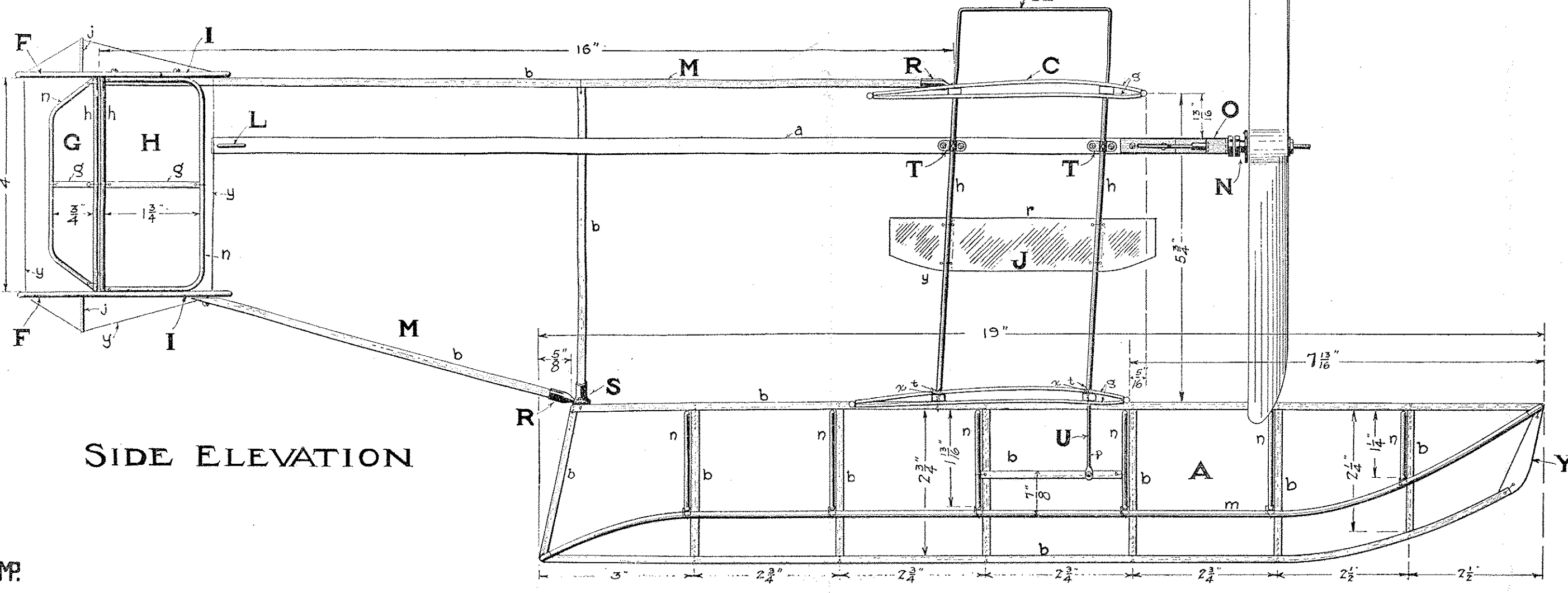


TYPICAL BOAT RIB JOINT

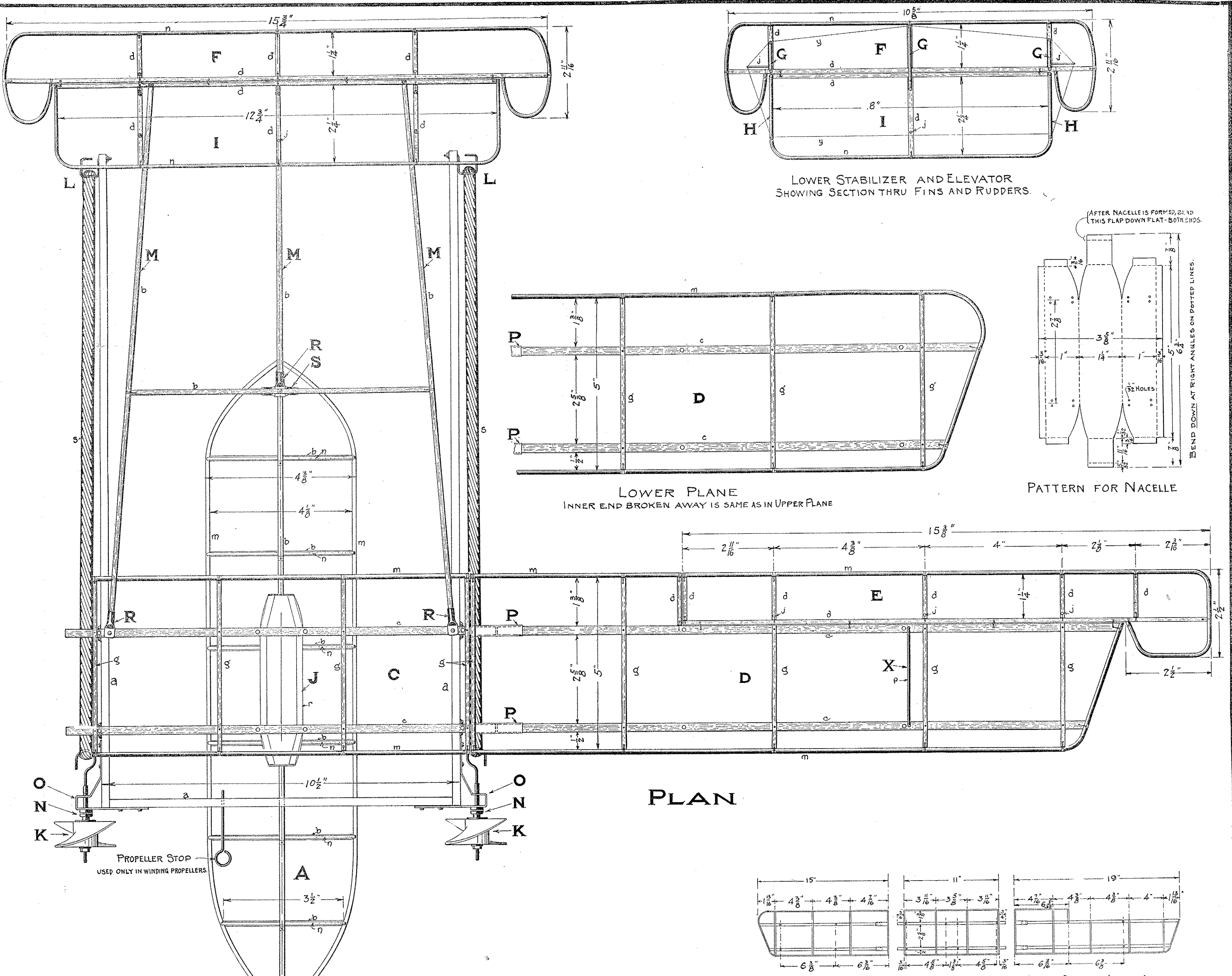


SECTION THRU TAIL UNIT
SHOWING
CENTER RUDDER AND STRUT

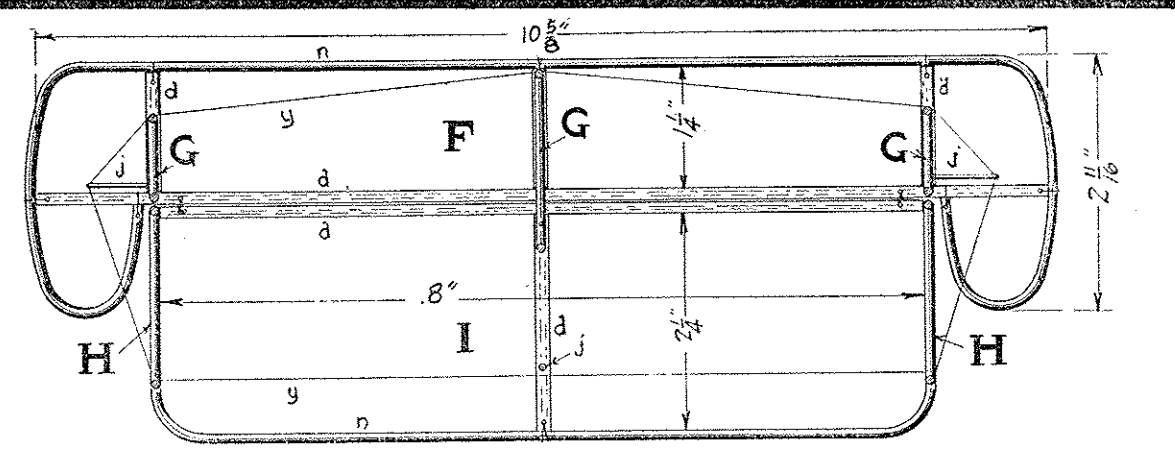
GET AN "IDEAL" FULL SIZE FORMING AND ASSEMBLING LAYOUT TO HELP YOU BUILD THIS MODEL



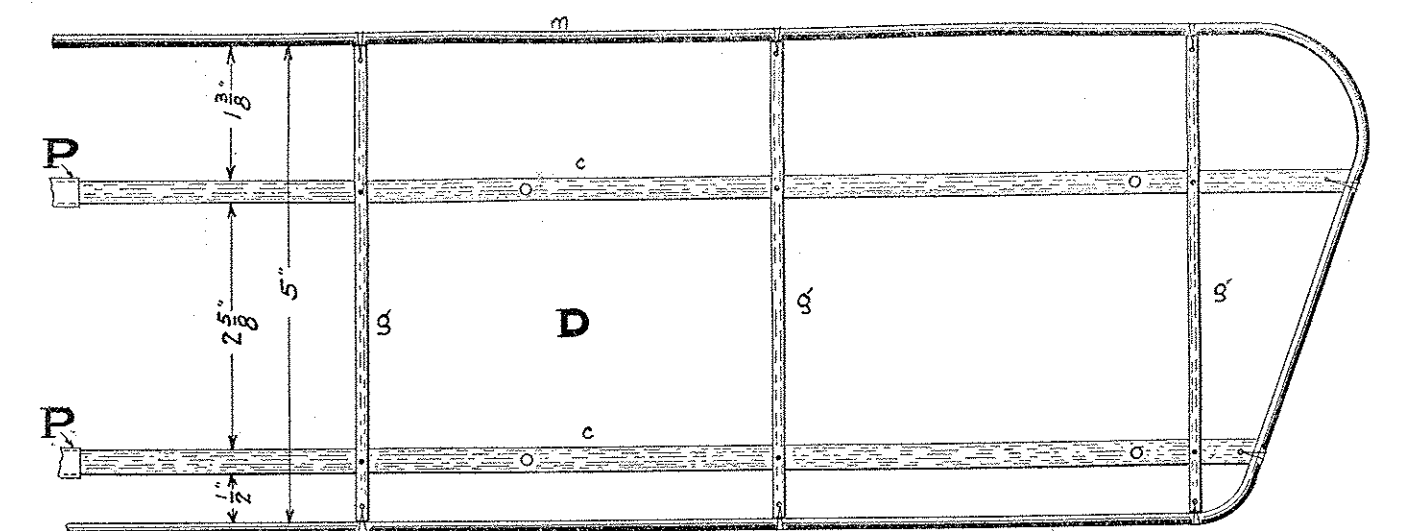
SIDE ELEVATION



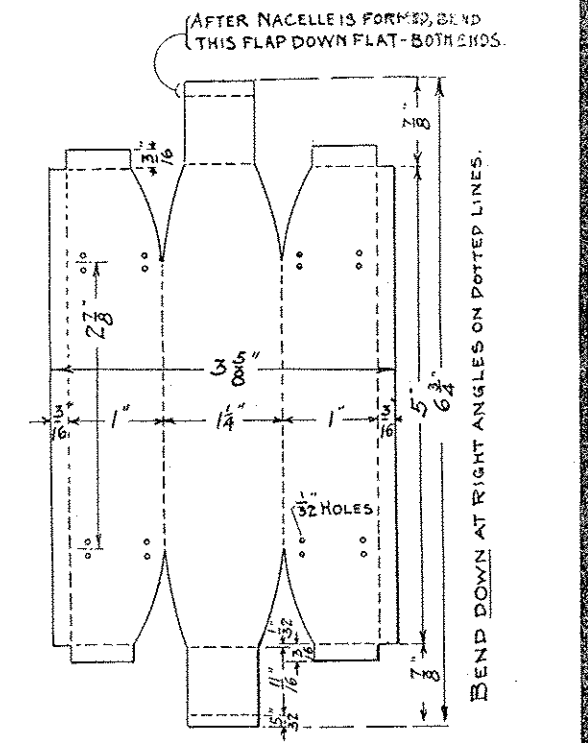
PLAN



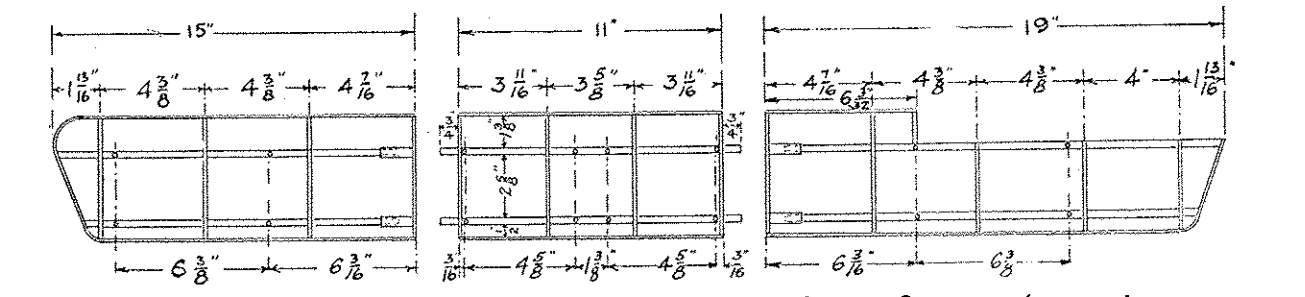
LOWER STABILIZER AND ELEVATOR
SHOWING SECTION THRU FINS AND RUDDERS.



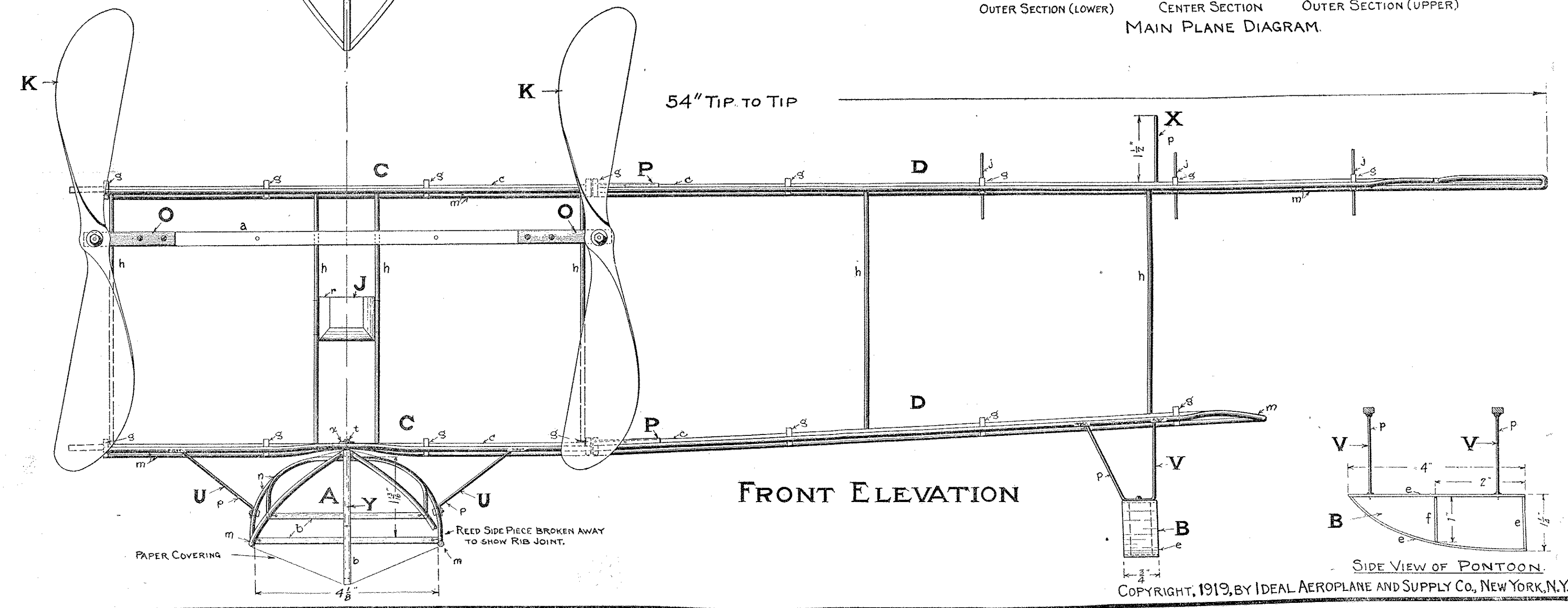
LOWER PLANE
INNER END BROKEN AWAY IS SAME AS IN UPPER PLANE



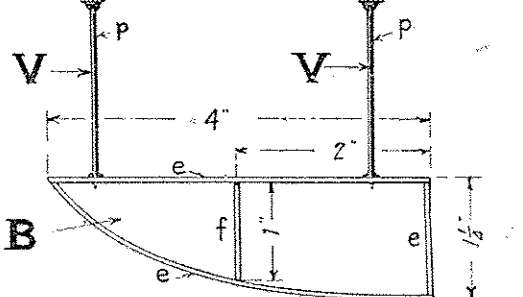
PATTERN FOR NACELLE



OUTER SECTION (LOWER) CENTER SECTION OUTER SECTION (UPPER)
MAIN PLANE DIAGRAM



FRONT ELEVATION



SIDE VIEW OF PONTOON