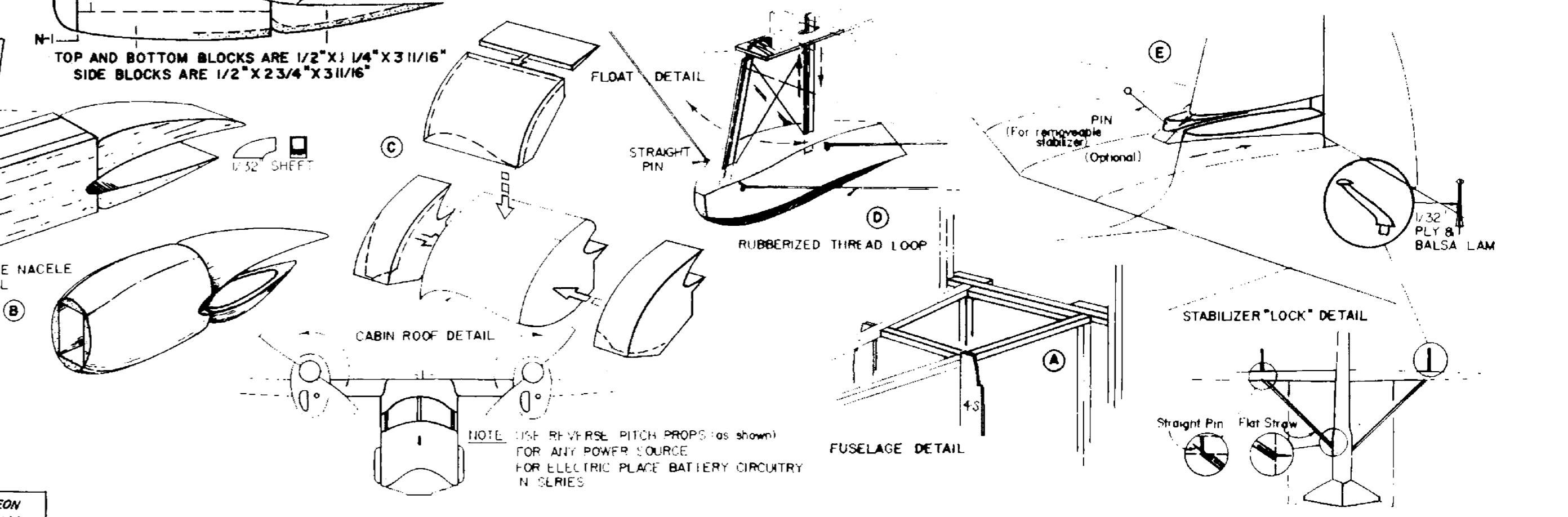
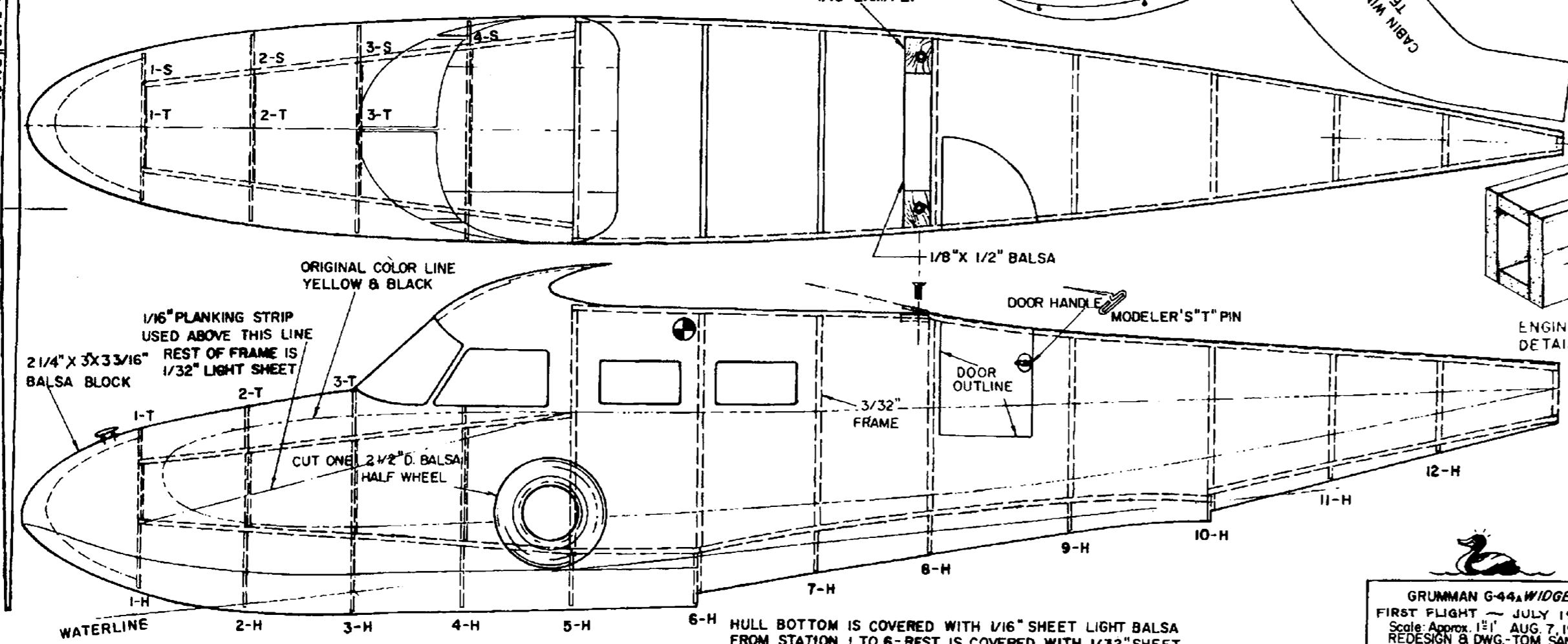
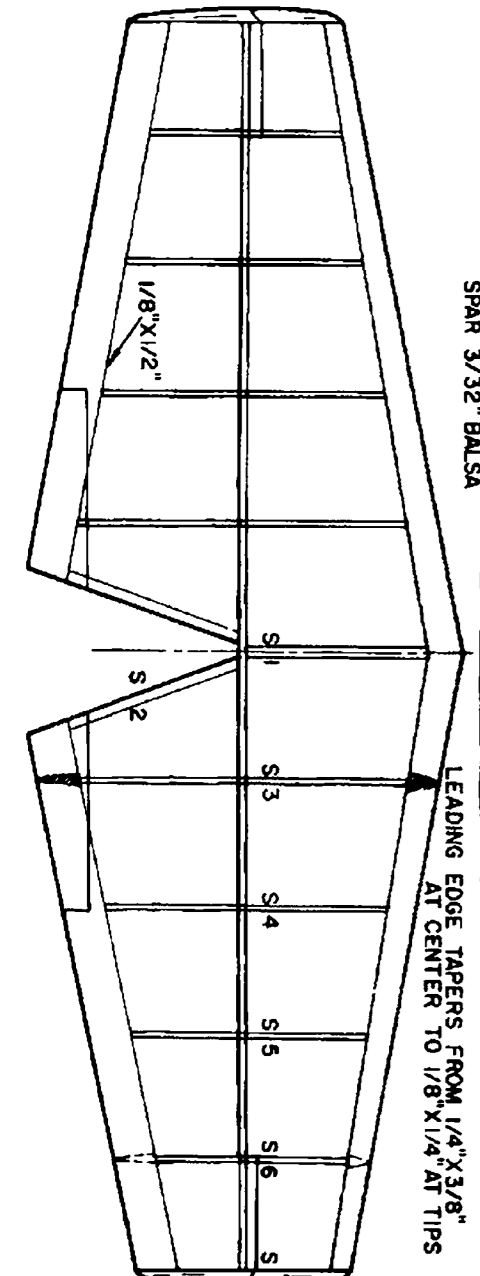
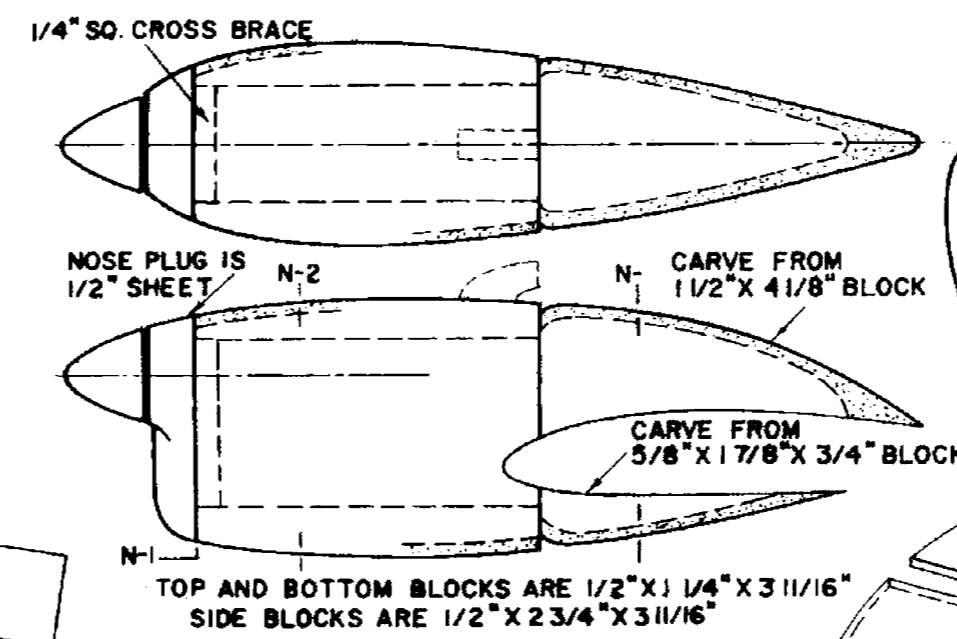
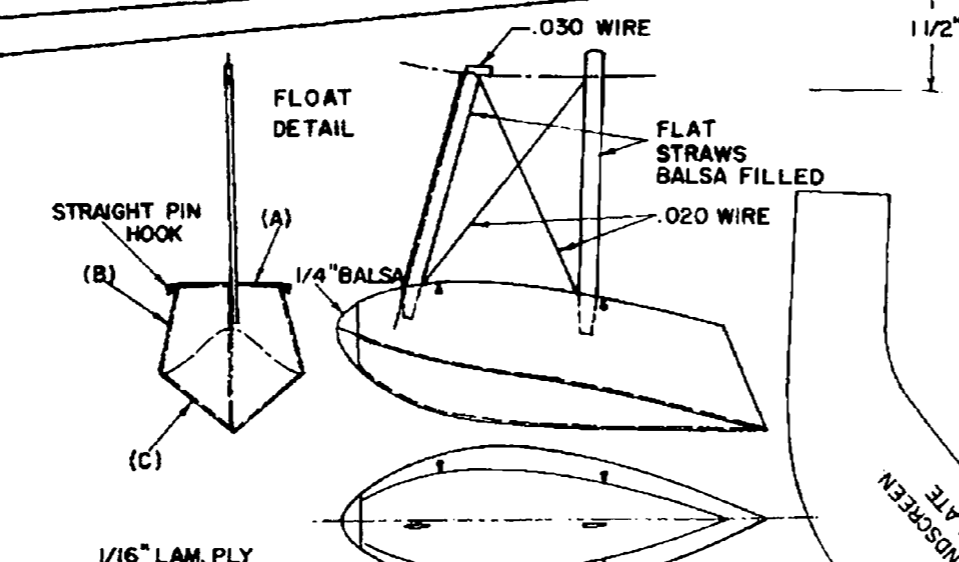
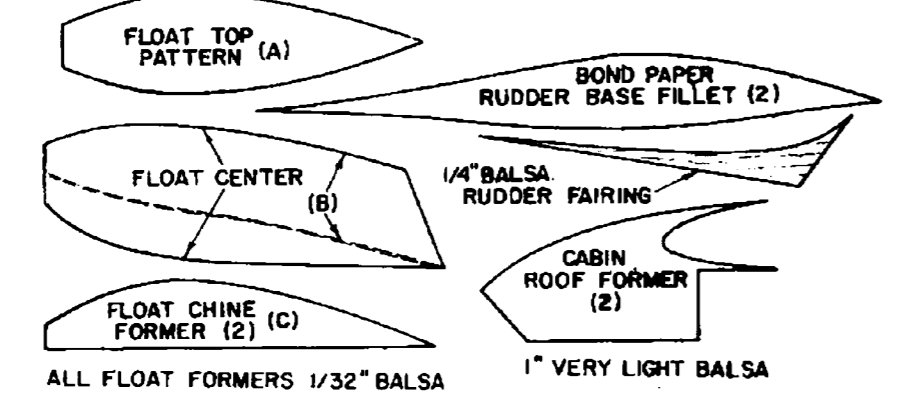
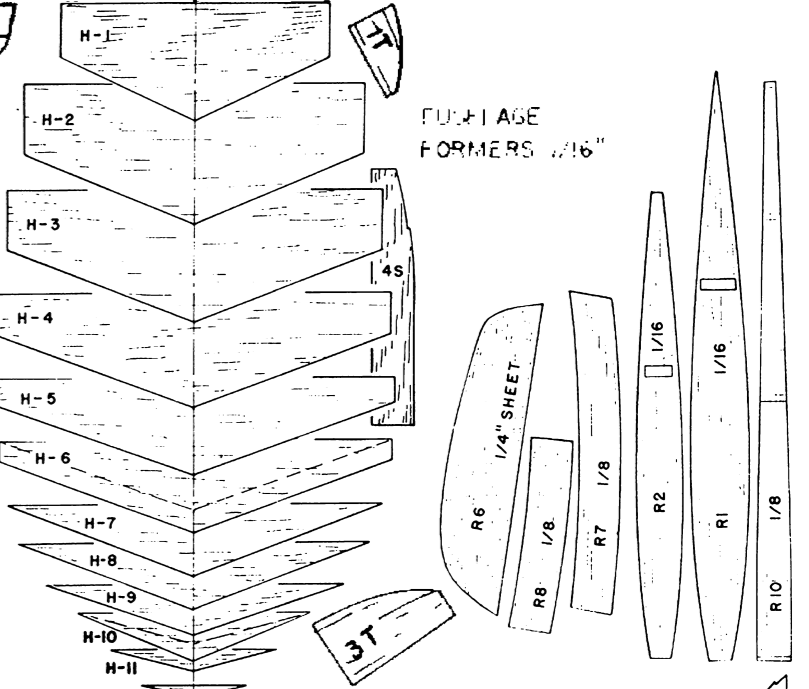
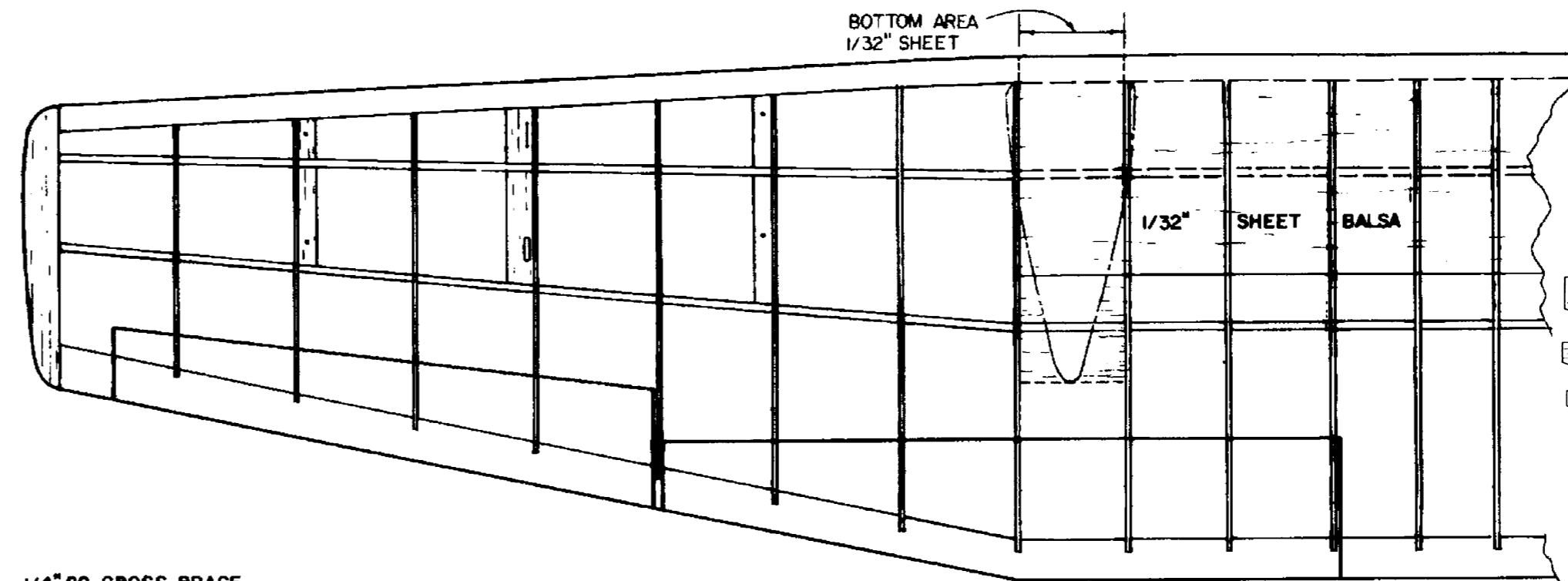
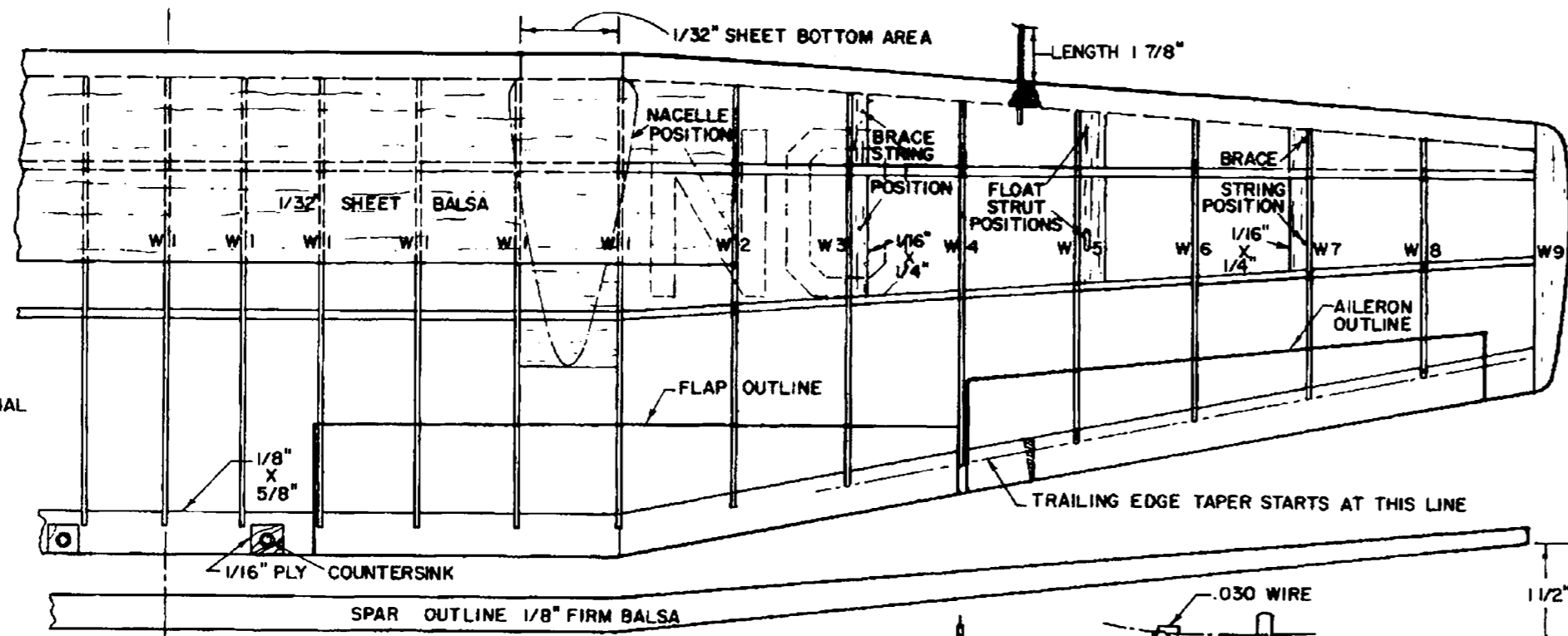


Rudder leading edge tapers from 1/8" x 1/4" at top to 1/4" x 1/4" at bottom (front view)



GRUMMAN G-44 WIDGEON  
 FIRST FLIGHT - JULY 1944  
 Scale: Approx. 1:11 AUG. 7, 1997  
 REDESIGN & DWG. - TOM SANDOR  
 Original Dwg. by Paul Pfecon - 12/7/82