

NO 1
WING SET AT 1° POSITIVE INCIDENCE

F-10 TOP F-11 TOP F-12 F-9 F-8 F-7 F-6

MAKE 2 OF EACH FORMER FROM 1 TO 12 AND CEMENT TOGETHER

MOTOR MOUNT DETAIL

SOLID BALS

COIL

TAPE BATTERIES IN PLACE AFTER BALANCE OF MODEL IS MADE

1/8" SHEET

SOLID BALS

STRUT

ALUM TAB

RUDDER PLACED HERE

RUDDER MAKE TWO

TEMPLATE FOR MOTOR COWL FULL SIZE

NO 1

THIN CARDBOARD

ELEVATOR

THIS FULL SIZE PLAN IS DISTRIBUTED BY AIRCRAFT PLAN CO. P.O. BOX 143, FRANKLIN SQ., N.Y. A Skyzone Reproduction

POPULAR AVIATION SEPTEMBER, 1939.

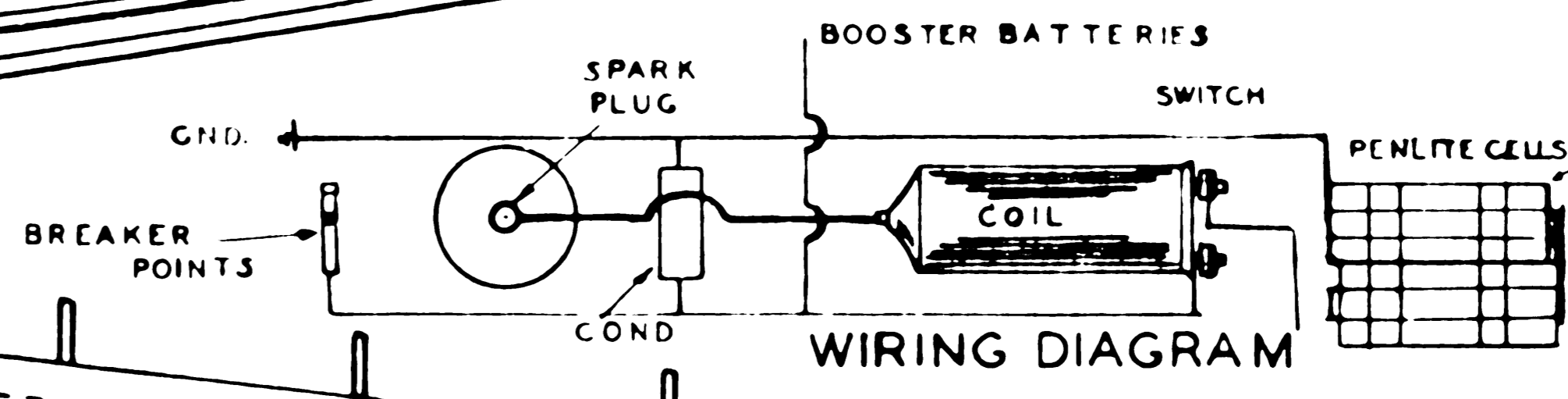
REMOVABLE MATCH MADE AFTER STRINGERS ARE CEMENTED ON FORMERS

BALS BLOKS

BATTERY RACK PANEL

CONSTRUCTION DETAIL

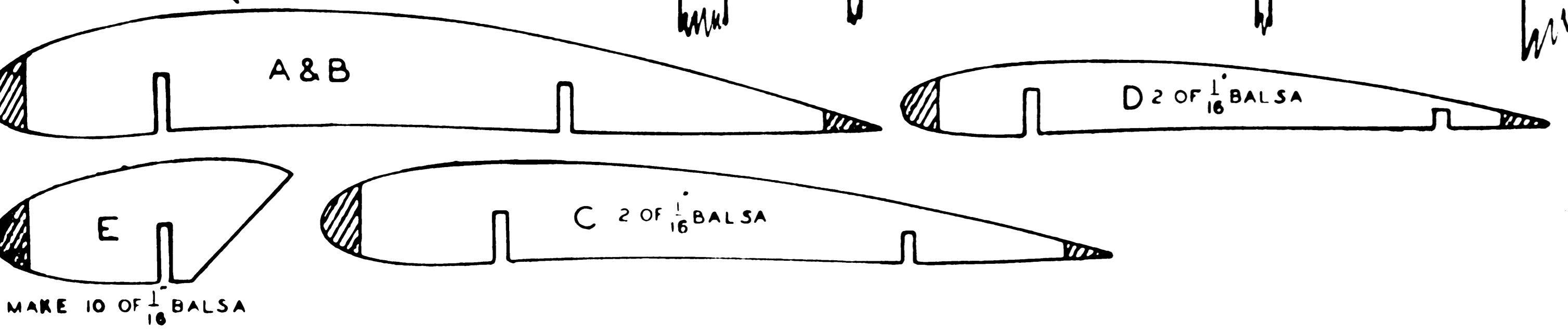
1/16" x 1/8" STRINGERS



WIRING DIAGRAM

MAKE 2 OF 1/8" BALS & 14 OF 1/16" BALS

TOP VIEW



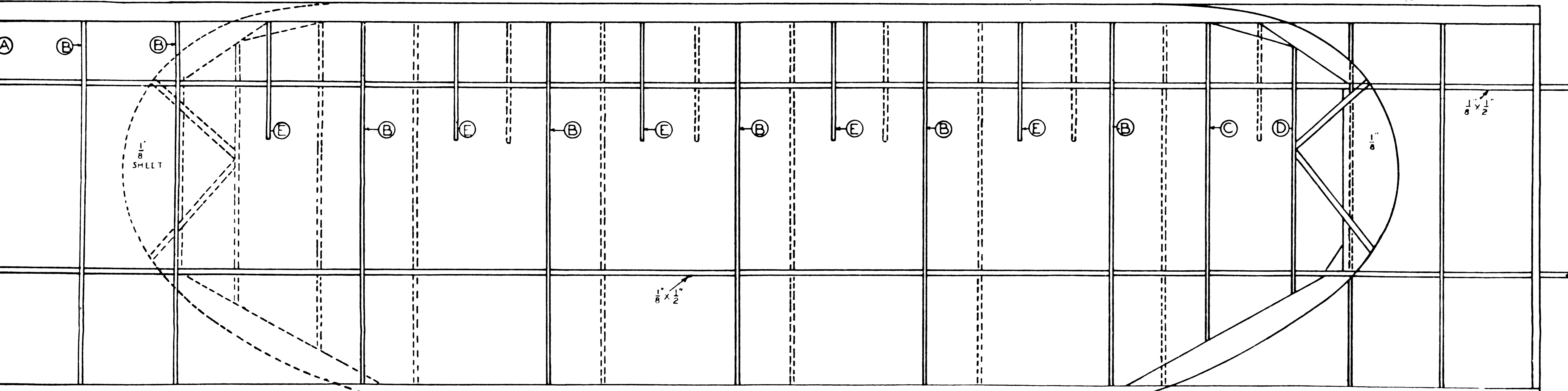
PROP LAYOUT

SCOTCH CELLULOSE MENDING TAPE USED TO HOLD WIRE CONNECTIONS TO BATTERIES

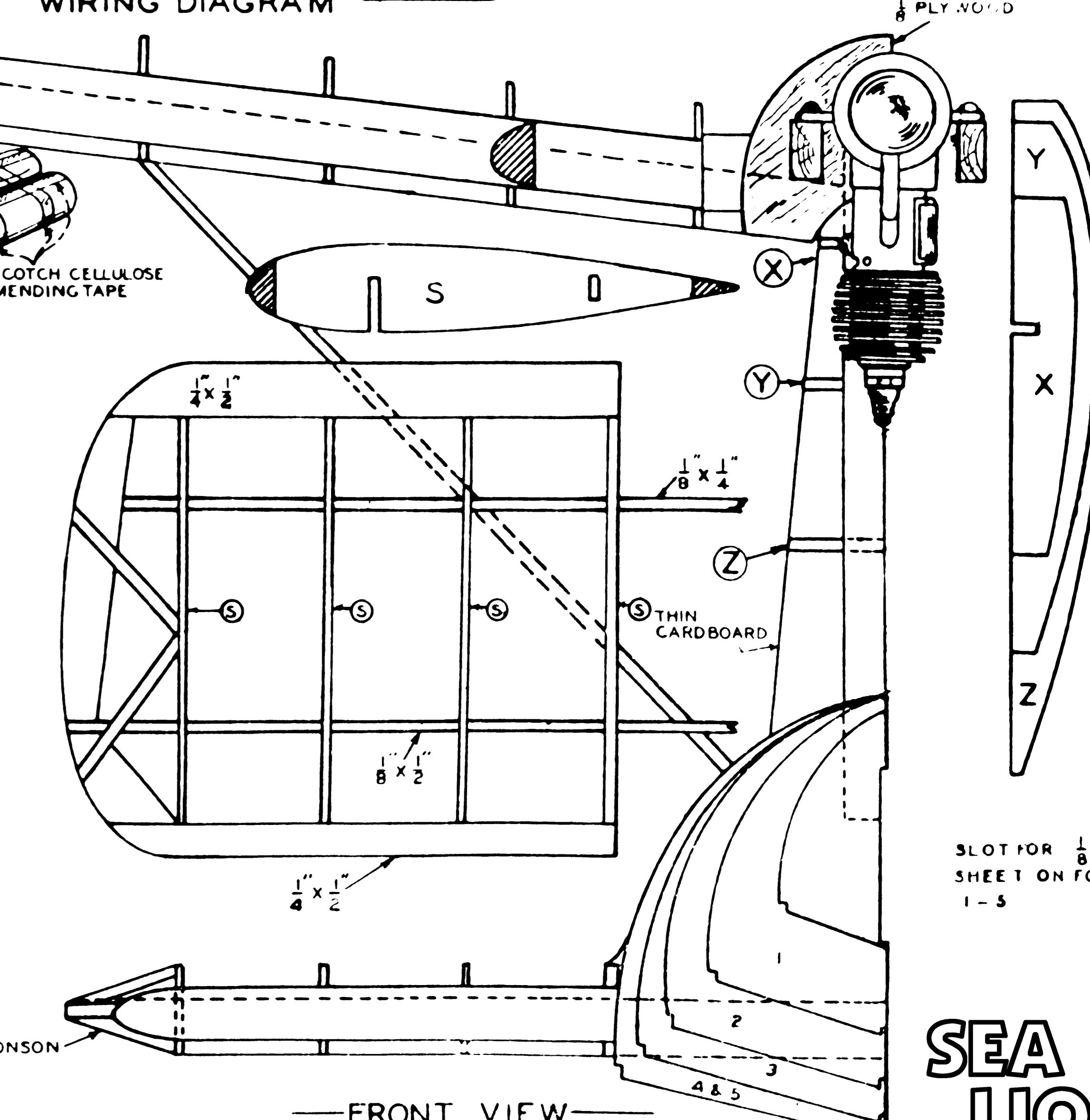
TAPE WIRES TIGHTLY TO BATTERIES

WIRE TO CONNECT BATTERIES

SCOTCH CELLULOSE MENDING TAPE



TRAILING EDGE



FRONT VIEW

SLOT FOR 1/8" SHEET ON FORMERS 1-3

SEA LION